



## Bracket Computation Request

### Instructions

**Before returning this form to Roof Extenda, please ensure you've met each and EVERY requirement as listed just below.**

- Filled out **EVERY** section in available spaces on both forms below.
- Ensured that your contact information is correct.
- DO NOT substitute any of the fields with attachments
- Read and understood the section in Green.
- Ensure **BOTH** pages are completed before returning

There is no cost to you for this service\*. Please allow 24 hours for a reply

You can send these forms in via E-MAIL to [info@roofextenda.com.au](mailto:info@roofextenda.com.au)

Or via FAX on 03 5978 8016

If you have any further questions, please CALL us on (03) 5978 8755

#### NOTE:

**IF ANY SECTION OF THE FORM IS INCOMPLETE OR INCORRECT\*\*, WE WILL BE UNABLE TO ASSIST YOU WITH YOUR REQUEST.**

\*Fees may apply if independent certification is required

\*\*any forms with "see plans" will be discarded

Date: \_\_\_\_\_

# Bracket Computation Request

- This request form covers pergola or carport flat roofs which are ( $\leq 15^\circ$ ) or pitched roofs ( $\leq 30^\circ$ ) with open gable ends.
- For complex roof shapes or where walls or enclosed gable ends are proposed, please contact us at Roof Extenda.
- Ensure wall top plate is 90mm or greater before proceeding with this form or bracket installation.

CLIENT NAME: \_\_\_\_\_ FLAT / GABLE ROOF: \_\_\_\_\_

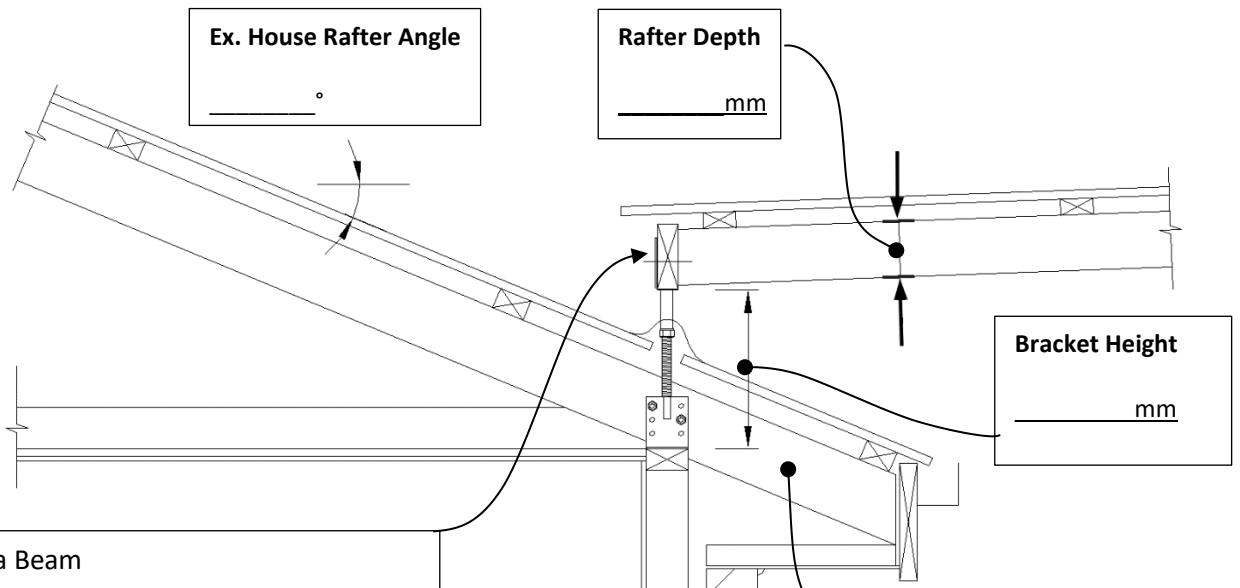
SITE ADDRESS: \_\_\_\_\_ STATE: \_\_\_\_\_

CONTACT DETAILS: Name: \_\_\_\_\_ Tel: \_\_\_\_\_

Email: \_\_\_\_\_

**Office use only**  
 Ref: \_\_\_\_\_  
 Date: \_\_\_\_\_  
 Page No: \_\_\_\_\_

**Return completed form to:**  
**Email: info@roofextenda.com.au**  
**Phone: 03 5978 8755**  
**Fax: 03 5978 8016**



**Pergola Beam**  
 Size: \_\_\_\_\_ Thickness: \_\_\_\_\_ mm  
**Timber type:**

F8 OB Hardwood	<input type="checkbox"/>
F17 Kiln Dried Hardwood	<input type="checkbox"/>
Mixed Aus. Hardwood Seasoned	<input type="checkbox"/>
Mixed Aus. Hardwood Unseasoned	<input type="checkbox"/>
LVL	<input type="checkbox"/>
Oregon	<input type="checkbox"/>
Radiata Pine, MGP Grades	<input type="checkbox"/>
Treated Pine Seasoned	<input type="checkbox"/>
Treated Pine Unseasoned	<input type="checkbox"/>

**Steel type:**

Cee	<input type="checkbox"/>
Zed	<input type="checkbox"/>
Box	<input type="checkbox"/>

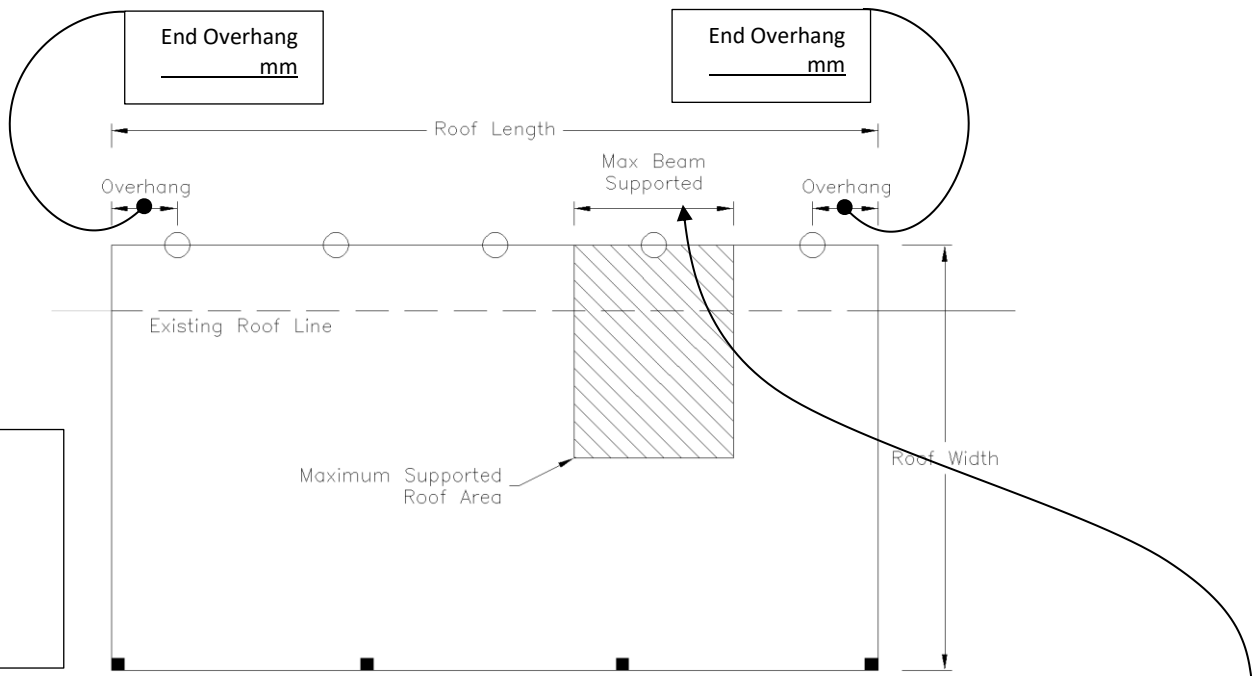
**Existing House Rafter**  
 Size: \_\_\_\_\_  
 Type:

F8 OB Hardwood	<input type="checkbox"/>
F17 Kiln Dried Hardwood	<input type="checkbox"/>
Mixed Aus. Hardwood Seasoned	<input type="checkbox"/>
Mixed Aus. Hardwood Unseasoned	<input type="checkbox"/>
Oregon	<input type="checkbox"/>
Radiata Pine, MGP Grades	<input type="checkbox"/>
Treated Pine Seasoned	<input type="checkbox"/>
Treated Pine Unseasoned	<input type="checkbox"/>

- This request form covers pergola or carport flat roofs which are ( $\leq 15^\circ$ ) or
- This request form covers pergola or carport flat roofs which are ( $\leq 15^\circ$ ) or pitched roofs ( $\leq 30^\circ$ ) with open gable ends.
- For complex roof shapes or where walls or enclosed gable ends are proposed, please contact us at Roof Extenda.
- Ensure wall top plate is 90mm or greater before proceeding with this form or bracket installation.

Office use only  
 Ref: \_\_\_\_\_  
 Date: \_\_\_\_\_  
 Page No: \_\_\_\_\_

**Return completed form to:**  
**Email: info@roofextenda.com.au**  
**Phone: 03 5978 8755**  
**Fax: 03 5978 8016**



**WIND CLASS**  
 N \_\_\_\_\_  
 Or  
 C \_\_\_\_\_

**Pergola Roof Dimensions**  
 Length: \_\_\_\_\_ mm  
 Width: \_\_\_\_\_ mm  
 Preferred no. brackets / no. of available fixing points:  
 \_\_\_\_\_

**Pergola Roof Construction:**

Metal deck, no ceiling	<input type="checkbox"/>
Metal deck, plaster ceiling	<input type="checkbox"/>
Tile, no ceiling	<input type="checkbox"/>
Tile, plaster ceiling	<input type="checkbox"/>

Specific Roof mass: \_\_\_\_\_ kg/m<sup>2</sup>

**Insulated Panel**  
 Thickness: \_\_\_\_\_ mm  
 (50/75/100/125/150 mm)

**Maximum supported beam length by a single bracket.**  
 If Brackets **ARE NOT** to be evenly distributed, please supply maximum supported length  
 \_\_\_\_\_ mm

**If the Pergola will have an Infill or Fascia please provide the Meters<sup>2</sup> or Dimensions Below:**  
 \_\_\_\_\_  
 \_\_\_\_\_